

2" (51mm) HEAVY DUTY BOLTED STYLE PUMP



2" (51mm) HEAVY DUTY BOLTED STYLE PUMP

Engineered for maximum fluid and chemical compatibility. Heavy duty, non-metallic air section ensures stall free and freeze free operation. Rugged valve system allows operation under a variety of conditions, ranging from clean fluids to slurries, to solids applications. Bolted design provides ease of maintenance and leak free operation. Available in a variety of materials and options.

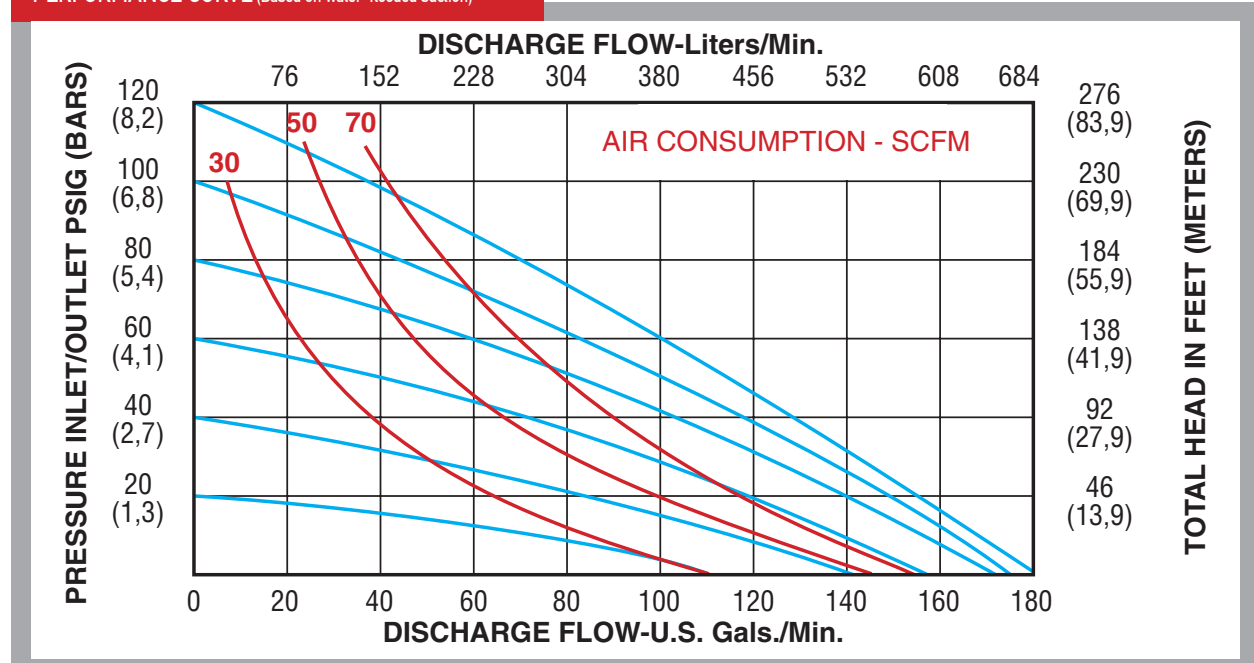
- Suitable for Clean Fluids, Slurries or up to 1/4" Solids
- All-Pur FDA Elastomers and Electropassivated Stainless Available
- Heavy Duty Air Valve
- Available in Metallic and non-Metallic Wetted Components
- Muffler Included

SPECIFICATIONS

Dimension	
Physical Dimensions	See Drawing Page 78
Air Inlet	3/4"
Liquid Inlet	2" (51 mm)
Liquid Outlet	2" (51 mm)
Weight	See Product Tables
Performance	
Maximum Flow	180 gpm (681 lpm)
Maximum Air Pressure	120 psi (8.2 bar)
Maximum Solids	1/4" (6.4 mm)
Max Suction Lift Dry	13 ft (3.9 m)
Max Suction Lift Wet	26 ft (7.9 m)
Max Suction Lift Dry with PTFE	10 ft (3 m)
Max Temperature	See Product Tables
Noise Level (with muffler)	78 dBA
Displacement Per Stroke	0.048 Gallons (1.82 l)



PERFORMANCE CURVE (Based on water-flooded suction)



2" (51mm) - ALUMINUM - General purpose pump, suitable for water, oils, most solvents, and most paints. Please consult chemical compatibility tables or www.all-flo.com for your particular application.

PART NUMBER	DIAPHRAGM MATERIAL	VALVE/BALL MATERIAL	VALVE SEAT MATERIAL	O-RING MATERIAL	FASTENER MATERIAL	WEIGHT LBS (KG)	MAX TEMP °F (°C)	DIMENSIONAL DIAGRAM	CONNECTOR TYPE
AN-20	Geolast®	Nitrile	Polypropylene	Nitrile	SS	74 (33.7)	180 (82)	Pg. 78	NPT
AB-20	Geolast®	Geolast®	Polypropylene	Nitrile	SS	74 (33.7)	180 (82)	Pg. 78	NPT
AB-20-B2	Geolast®	PTFE	Polypropylene	Nitrile	SS	74 (33.7)	180 (82)	Pg. 78	NPT
AB-20-B2-S11	Geolast®	PTFE	SS	Nitrile	SS	74 (33.7)	180 (82)	Pg. 78	NPT
AT-20	PTFE	PTFE	Nylon	PTFE	SS	74 (33.7)	212 (100)	Pg. 78	NPT
AE-20	Santoprene®	Santoprene®	Polypropylene	EPDM	SS	74 (33.7)	212 (100)	Pg. 78	NPT
AN-20-P30	Geolast®	Nitrile	Polypropylene	Nitrile	SS	74 (33.7)	180 (82)	Pg. 78	ANSI / DIN Flange
AB-20-P30	Geolast®	Geolast®	Polypropylene	Nitrile	SS	74 (33.7)	180 (82)	Pg. 78	ANSI / DIN Flange
AT-20-P30	PTFE	PTFE	Nylon	PTFE	SS	74 (33.7)	212 (100)	Pg. 78	ANSI / DIN Flange
AE-20-P30	Santoprene®	Santoprene®	Polypropylene	EPDM	SS	74 (33.7)	212 (100)	Pg. 78	ANSI / DIN Flange
AN-20-P15	Geolast®	Nitrile	Polypropylene	Nitrile	SS	74 (33.7)	180 (82)	Pg. 78	BSP
AB-20-P15	Geolast®	Geolast®	Polypropylene	Nitrile	SS	74 (33.7)	180 (82)	Pg. 78	BSP
AB-20-B2-P15	Geolast®	PTFE	Polypropylene	Nitrile	SS	74 (33.7)	180 (82)	Pg. 78	BSP
AT-20-P15	PTFE	PTFE	Nylon	PTFE	SS	74 (33.7)	212 (100)	Pg. 78	BSP
AE-20-P15	Santoprene®	Santoprene®	Polypropylene	EPDM	SS	74 (33.7)	212 (100)	Pg. 78	BSP
AV-20-P30	Viton®	Viton®	Nylon	Viton®	SS	74 (33.7)	212 (100)	Pg. 78	ANSI / DIN Flange
AV-20-P15	Viton®	Viton®	Nylon	Viton®	SS	74 (33.7)	212 (100)	Pg. 78	ANSI / DIN Flange
AV-20	Viton®	Viton®	Nylon	Viton®	SS	74 (33.7)	212 (100)	Pg. 78	NPT

2" (51mm) - 316 SS - Corrosion resistant steel, suitable for nitric acid, chlorinated solvents, caustics and marine applications. Please consult chemical compatibility tables or www.all-flo.com for your particular application.

PART NUMBER	DIAPHRAGM MATERIAL	VALVE/BALL MATERIAL	VALVE SEAT MATERIAL	O-RING MATERIAL	FASTENER MATERIAL	WEIGHT LBS (KG)	MAX TEMP °F (°C)	DIMENSIONAL DIAGRAM	CONNECT TYPE
SN-20	Geolast®	Nitrile	SS	Nitrile	SS	146 (66.2)	180 (82)	Pg. 78	NPT
SB-20	Geolast®	Geolast®	SS	Nitrile	SS	146 (66.2)	180 (82)	Pg. 78	NPT
SP-20	PTFE	PTFE	SS	PTFE	SS	146 (66.2)	212 (100)	Pg. 78	NPT
SE-20	Santoprene®	Santoprene®	SS	EPDM	SS	146 (66.2)	212 (100)	Pg. 78	NPT
SN-20-P30	Geolast®	Nitrile	SS	Nitrile	SS	146 (66.2)	180 (82)	Pg. 78	ANSI / DIN Flange
SB-20-P30	Geolast®	Geolast®	SS	Nitrile	SS	146 (66.2)	180 (82)	Pg. 78	ANSI / DIN Flange
SP-20-P30	PTFE	PTFE	SS	PTFE	SS	146 (66.2)	212 (100)	Pg. 78	ANSI / DIN Flange
SE-20-P30	Santoprene®	Santoprene®	SS	EPDM	SS	146 (66.2)	212 (100)	Pg. 78	ANSI / DIN Flange
SN-20-P15	Geolast®	Nitrile	SS	Nitrile	SS	146 (66.2)	180 (82)	Pg. 78	BSP
SB-20-P15	Geolast®	Geolast®	SS	Nitrile	SS	146 (66.2)	180 (82)	Pg. 78	BSP
SP-20-P15	PTFE	PTFE	SS	PTFE	SS	146 (66.2)	212 (100)	Pg. 78	BSP
SE-20-P15	Santoprene®	Santoprene®	SS	EPDM	SS	146 (66.2)	212 (100)	Pg. 78	BSP
SV-20-P30	Viton®	Viton®	SS	Viton®	SS	146 (66.2)	212 (100)	Pg. 78	ANSI / DIN Flange
SV-20-P15	Viton®	Viton®	SS	Viton®	SS	146 (66.2)	212 (100)	Pg. 78	BSP
SV-20	Viton®	Viton®	SS	Viton®	SS	146 (66.2)	212 (100)	Pg. 78	NPT

ALL-PÜR 2" (51mm) - ELECTROPOLISHED & PASSIVATED 316 SS- FDA elastomers and corrosion resistant steel. Suitable for food and sanitary applications. Please consult chemical compatibility tables or www.all-flo.com for your particular application.

PART NUMBER	DIAPHRAGM MATERIAL	VALVE/BALL MATERIAL	VALVE SEAT MATERIAL	O-RING MATERIAL	FASTENER MATERIAL	WEIGHT LBS (KG)	MAX TEMP °F (°C)	DIMENSIONAL DIAGRAM	CONNECT TYPE
SB-20-X44	FDA Hytrel®	FDA Nitrile	SS	FDA Nitrile	SS	146 (66.2)	180 (82)	Pg. 78	2 1/2" Tri-Clamp
SP-20-X44	FDA PTFE	FDA PTFE	SS	FDA PTFE	SS	146 (66.2)	212 (100)	Pg. 78	2 1/2" Tri-Clamp
SE-20-X44	FDA Santoprene®	FDA Santoprene®	SS	FDA EPDM	SS	146 (66.2)	212 (100)	Pg. 78	2 1/2" Tri-Clamp

2" (51mm) HEAVY DUTY BOLTED STYLE PUMP

2" (51mm) - POLYPROPYLENE - A non-metallic material, suitable for water, caustics, soap solutions, mild acids and general purpose applications. Please consult chemical compatibility tables or www.all-flo.com for your particular application.

PART NUMBER	DIAPHRAGM MATERIAL	VALVE/BALL MATERIAL	VALVE SEAT MATERIAL	O-RING MATERIAL	FASTENER MATERIAL	WEIGHT LBS (KG)	MAX TEMP °F (°C)	DIMENSIONAL DIAGRAM	CONNECTOR TYPE
PB-20	Geolast®	Geolast®	Polypropylene	Nitrile	SS	61 (27.7)	150 (66)	Pg. 78	ANSI / DIN Flange
PT-20	PTFE	PTFE	Polypropylene	PTFE	SS	61 (27.7)	150 (66)	Pg. 78	ANSI / DIN Flange
PE-20	Santoprene®	Santoprene®	Polypropylene	EPDM	SS	61 (27.7)	150 (66)	Pg. 78	ANSI / DIN Flange
PV-20	Viton®	Viton®	Polypropylene	Viton®	SS	61 (27.7)	150 (66)	Pg. 78	ANSI / DIN Flange

2" (51mm) - PVDF - Polyvinylidene fluoride suitable in applications requiring the highest purity, strength, and resistance to solvents, acids, and bases. Please consult chemical compatibility tables or www.all-flo.com for your particular application.

PART NUMBER	DIAPHRAGM MATERIAL	VALVE/BALL MATERIAL	VALVE SEAT MATERIAL	O-RING MATERIAL	FASTENER MATERIAL	WEIGHT LBS (KG)	MAX TEMP °F (°C)	DIMENSIONAL DIAGRAM	CONNECTOR TYPE
KT-20	PTFE	PTFE	PVDF	PTFE	SS	82 (37.2)	200 (93)	Pg. 78	ANSI / DIN Flange
KE-20	Santoprene®	Santoprene®	PVDF	EPDM	SS	82 (37.2)	200 (93)	Pg. 78	ANSI / DIN Flange
KV-20	Viton®	Viton®	PVDF	Viton®	SS	82 (37.2)	200 (93)	Pg. 78	ANSI / DIN Flange

AVAILABLE OPTIONS - Each pump can be configured to suit a particular application. Please see the options section for detailed product information on the following available options.

AIR VALVE OPTIONS	SEE PAGE 67
CYCLE COUNT VALVE	
BALL VALVE OPTIONS	SEE PAGE 67
GEOLAST®	PTFE
SANTOPRENE®	HEAVY NITRILE
FDA NITRILE	STAINLESS STEEL
WETTED CHAMBER FINISH OPTIONS	SEE PAGE 67
HARD COAT ANODIZING	
PASSIVATED & ELECTROPOLISHED	
HARDWARE OPTIONS	SEE PAGE 67
PTFE COATED HARDWARE	HANDLES
O-RINGS	SEE PAGE 67
PTFE O-RINGS	NITRILE O-RINGS
EPDM O-RINGS	VITON® O-RINGS
PORTING OPTIONS	SEE PAGE 68
DISCHARGE / UP, AIR INLET	
SUCTION / AIR EXHAUST	
VALVE SEAT OPTIONS	SEE PAGE 68
POLYPROPYLENE	NYLON
PVDF	STAINLESS STEEL
MISC. AND SPECIAL OPTIONS	SEE PAGE 68
TRI-CLAMP FITTING/PASSIVATED/ELECTROPOLISHED PLUS FDA ELASTOMERS	
HIGH SUCTION LEFT, POLYPROPYLENE ONLY	

AVAILABLE ACCESSORIES - Please see the accessories section for detailed product information on the following available accessories.

AIR	SEE PAGE
FILTER/REGULATOR/GAUGE	60
SOLENOID VALVE	60
AIR FLOW CONTROL VALVE	60
METAL MUFFLER	63
LIQUID	
COMPANION FLANGE KIT	61
PUMP	
BASES	63
GROUNDING LUG	64



METALLIC

Our 2" metallic pumps, available in both stainless steel and aluminum, can be fitted with a wide variety of elastomers to suit your application.



NON-METALLIC

Wetted chambers available in polypropylene or PVDF. Diaphragms available in PTFE or Santoprene®. Modular liquid manifolds for plumbing flexibility.



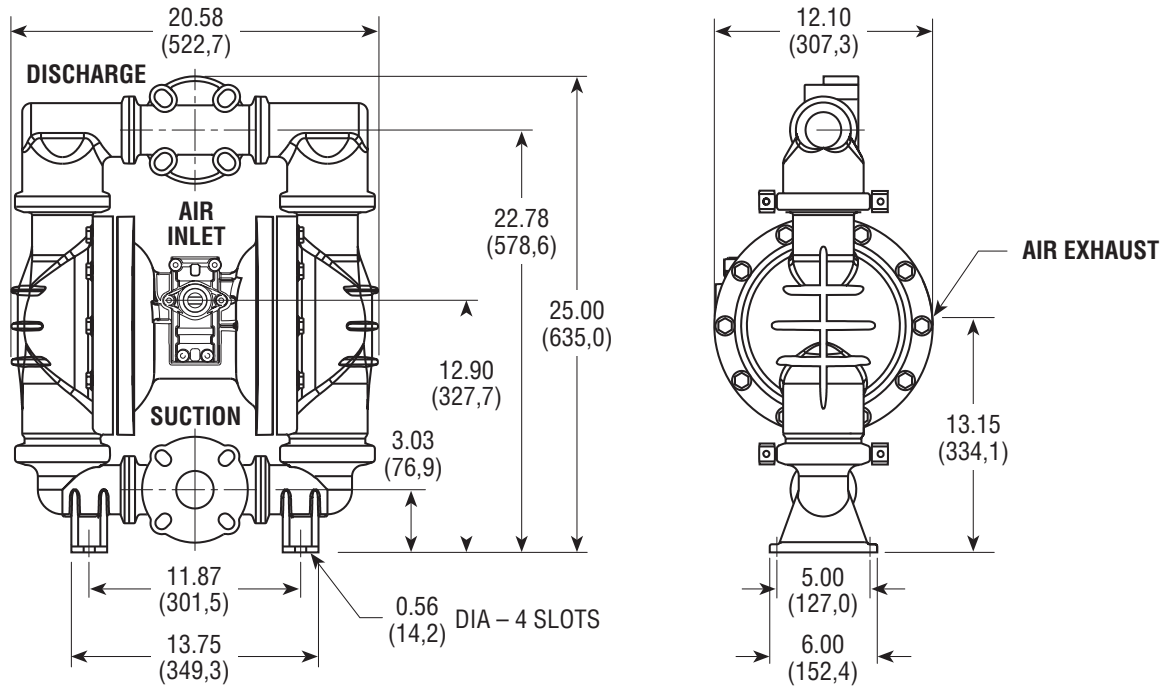
ALL-PÜR FDA PUMPS

Electropolished and passivated 316 SS with FDA approved elastomers and tri-clamps for sanitary applications.

2" BOLTED STYLE HEAVY DUTY PUMP (PLASTIC)

Dimensions in inches and (mm).

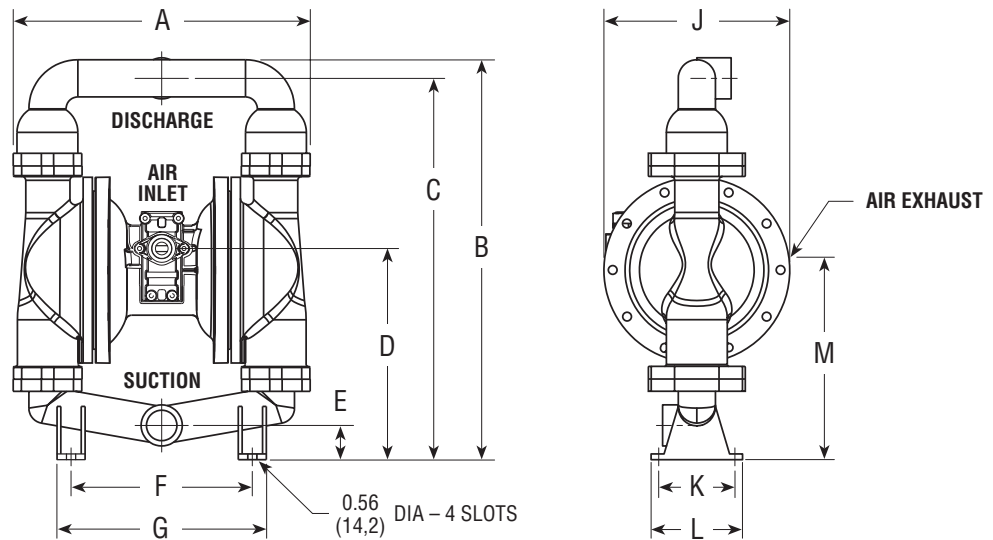
For detailed dimensional drawings, please visit www.all-flo.com



2" BOLTED STYLE HEAVY DUTY PUMP (METALLIC)

Dimensions in inches and (mm).

For detailed dimensional drawings, please visit www.all-flo.com



MODEL	DIMENSIONS INCHES / (MM)										
SIZE	A	B	C	D	E	F	G	J	K	L	M
2" ALUMINUM NPT & BSP	19.50 (495.0)	26.18 (665.0)	24.40 (619.8)	13.32 (338.3)	1.59 (40.4)	10.20 (259.1)	12.00 (304.8)	12.20 (309.9)	5.00 (127.0)	6.00 (152.4)	13.27 (337.1)
2" STAINLESS STEEL NPT & BSP	19.50 (495)	24.46 (621.5)	23.10 (587.6)	14.95 (379.7)	3.50 (89.0)	12.00 (304.8)	13.85 (351.5)	12.20 (309.9)	5.00 (127.0)	6.00 (152.4)	14.10 (358.1)
METAL FLANGE OPTIONAL 2" Flange	19.50 (495.0)	24.62 (625.3)	21.62 (549.2)	13.25 (336.6)	3.50 (89.0)	12.00 (304.8)	13.85 (351.5)	11.88 (301.8)	5.00 (127.0)	6.00 (152.4)	12.75 (324.0)