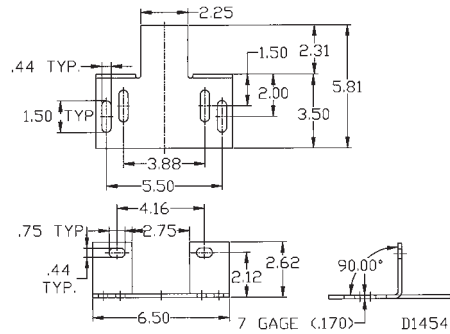
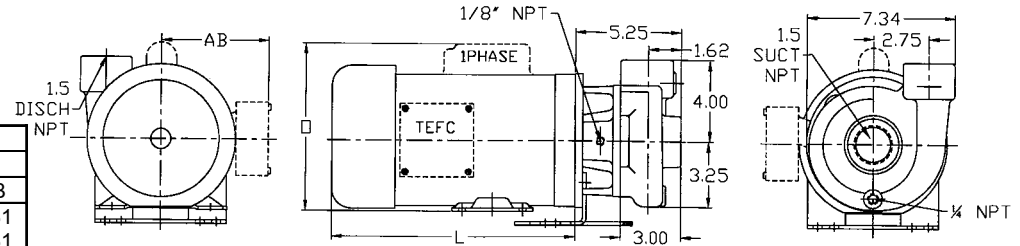


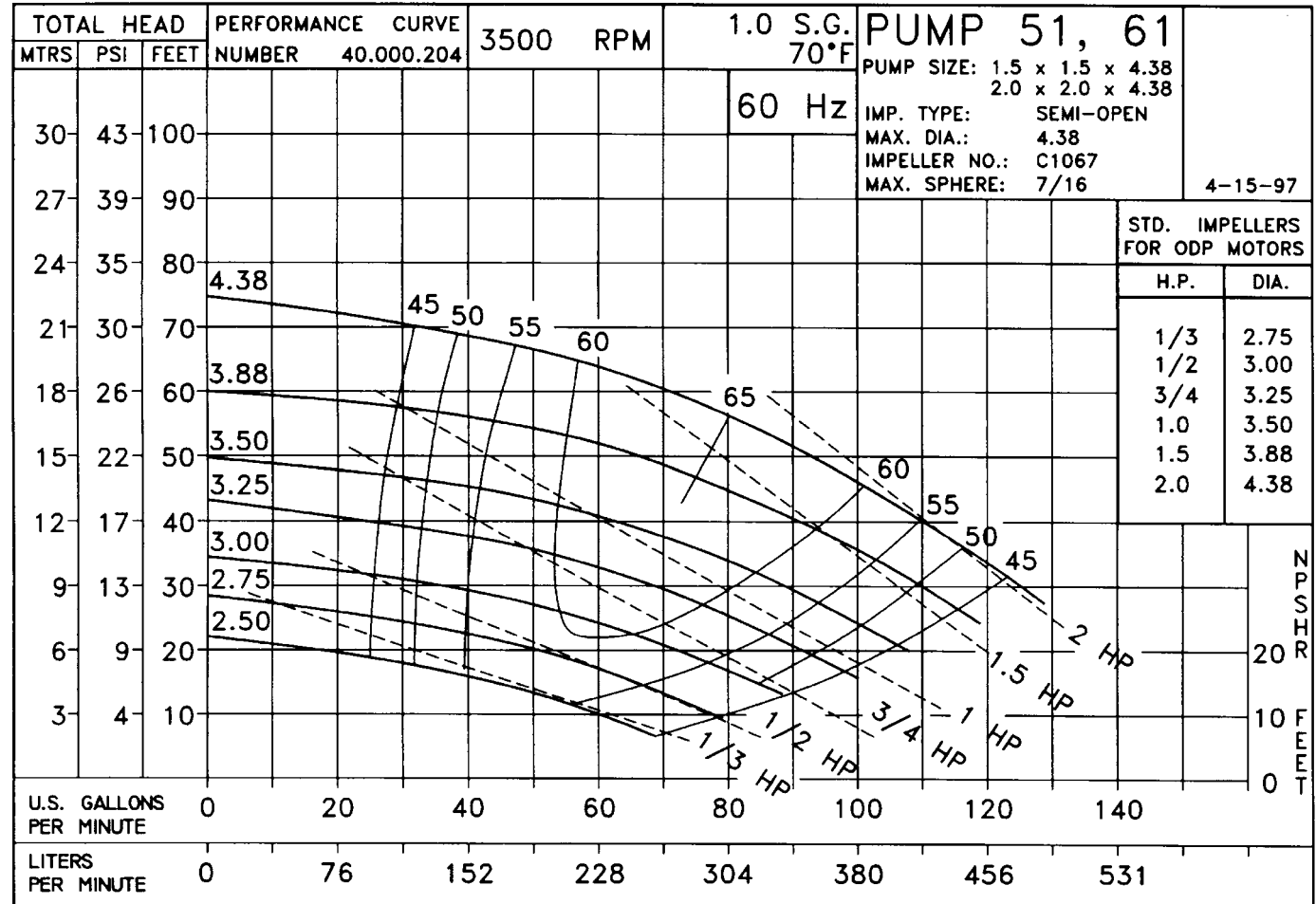
MOTOR DIMENSIONS NEMA J56 FRAME 3500 RPM

HP	FRAME	ODP						TEFC					
		3PH			1PH			3PH			1PH		
		L	O	AB	L	O	AB	L	O	AB	L	O	AB
.33	J56	7.87	6.50	3.25	9.33	8.75	3.25	9.43	7.04	5.31	12.00	8.10	5.31
.50	J56	8.37	6.50	3.25	10.52	8.75	3.25	9.43	7.04	5.31	12.00	8.10	5.31
.75	J56	8.37	6.50	3.25	10.83	8.75	3.25	9.43	7.04	5.31	12.00	8.10	5.31
1.0	J56	8.37	6.50	3.25	11.02	8.75	3.25	9.43	7.04	5.31	13.18	8.10	5.31
1.5	J56	8.87	6.50	3.25	11.33	8.75	3.25	9.43	7.04	5.31	13.18	8.10	5.31
2.0	J56	8.87	6.50	3.25	10.69	8.75	3.25	10.61	7.04	5.31	14.36	8.10	5.31



ALL DIMENSIONS IN INCHES.

DRAWING REPRESENTS APPROXIMATE PUMP DIMENSIONS. AUTOCAD DRAWING TO SCALE AVAILABLE FROM FACTORY.

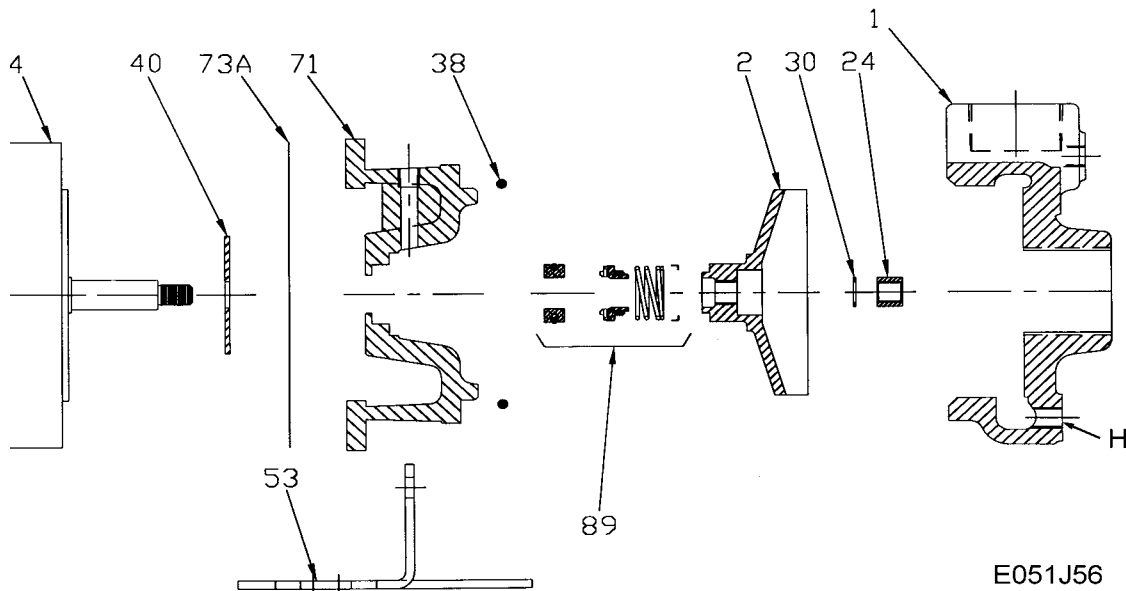


D1454 D151C56
051B2TE 0613500

151 J56

151J3500
81.001.708 D3

Pump 151 • Bronze • J56 Frame • 3500 RPM

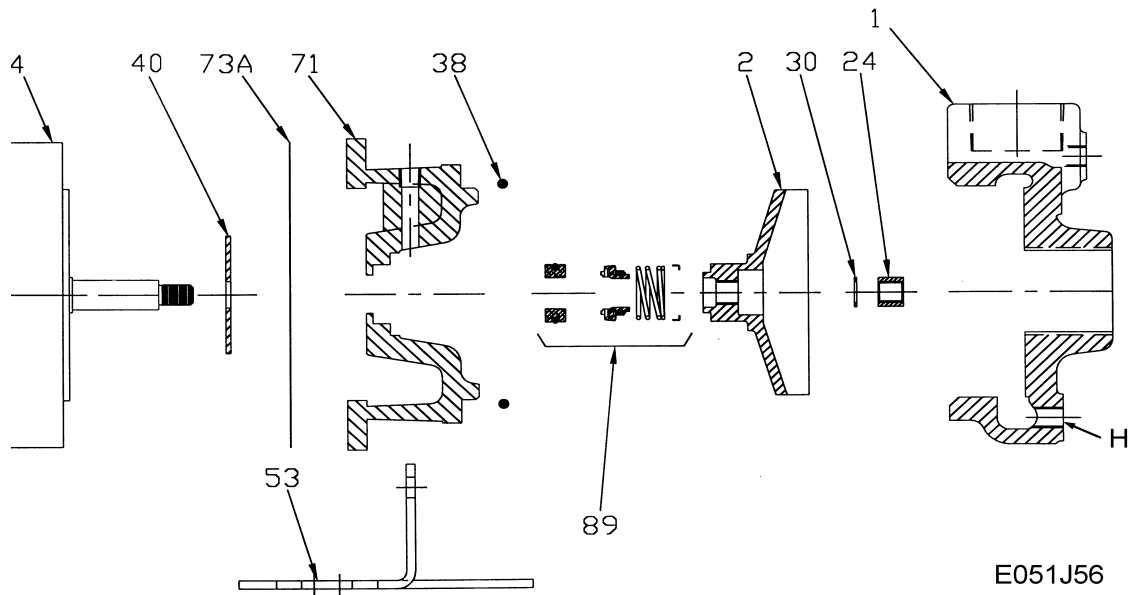


E051J56

KEY NO.	PART NAME	PUMP 151	
1	CASE, BRONZE, 1.5 x 1.5 NPT	130.000.280X	
2	IMPELLER, 7/16" THREADED, SEMI-OPEN, SPECIFY DIAMETER:		
	BRONZE	137.000.119	
4	MOTOR:		
	J56, ROUND BODY J56, 3.5" RIGID BASE	See Chart See Chart	
24*+	NUT, STAINLESS	105.000.465	
30*+	D WASHER, STAINLESS	104.000.168	
40*	FLINGER, NEOPRENE	104.000.171	
53	BASE, STEEL	119.000.231A	
71	ADAPTER, BRONZE	132.000.289	
73*	GASKET, CASE, BUNA	116.000.141	
89*	5/8" SEALS:		
	NO RETAINER: (not shown)		
	TYPE 6, BN-CARB/CM	101.000.110	
	WITH RETAINER:		
	TYPE 21, VN-CARB/CM	101.000.103	
	TYPE 21, VN-CARB/SIL	101.000.120	
	TYPE 21, VN-SIL/SIL	101.000.239	
TYPE 21, EPDM-CARB/CM	101.000.327		
TYPE 21, EPDM-CARB/SIL	101.000.173		
TYPE 21, EPDM-SIL/SIL	101.000.236		
--	REPAIR KITS:	3 PHASE:	† 1 PHASE:
	BN-CARB/CM SEAL	118.000.341	118.000.341.1
	VN-CARB/CM SEAL	118.000.341A	118.000.341A.1
	VN-CARB/SIL SEAL	118.000.341B	118.000.341B.1
	VN-SIL/SIL SEAL	118.000.341F	118.000.341F.1
	EPDM-CARB/CM SEAL	118.000.341G	118.000.341G.1
	EPDM-CARB/SIL SEAL	118.000.341C	118.000.341C.1
	EPDM-SIL/SIL SEAL	118.000.341D	118.000.341D.1

* DENOTES COMPONENTS INCLUDED IN REPAIR KIT.
 + NOT REQUIRED ON 1/3 TO 1-1/2 HP 1 PHASE MOTORS.
 † USE 3 PHASE KIT ON 2-3 HP 1 PHASE MOTORS.

Pump 151 • Bronze • J56 Frame • 3500 RPM



E051J56

CONSTRUCTION OPTIONS

KEY	PART NAME	ALL BRONZE
1	Case	Bronze
2	Impeller	Bronze
24	Impeller Locknut	Stainless
30	D-Washer	Stainless
40	Flinger	Neoprene
53	Base	Steel
71	Adapter	Bronze
73	Gasket, Case	Buna
89	Mechanical Seal, Type 6 BN-CM	Standard
H	Plug, Drain	Brass