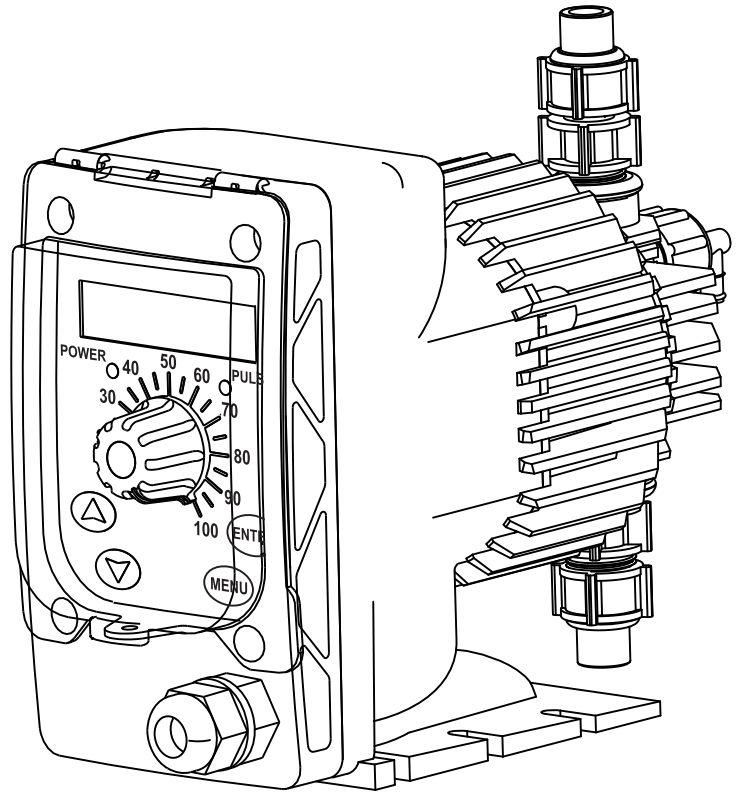


# Series R

MicroTron Relay Output  
Chemical Metering Pump

## *Pump and Controller Together In One Unit*



## Key Features

- Microprocessor Controlled
- Control Relay Output
- NEMA 4X Style Enclosure
- Splash Cover Over Controls
- Guided Double Ball Checks
- LED Indicating Lights
- LCD Backlit Display
- Widest Turn Down Capability
- Thermal Overload Protection
- Priming Valve Standard

## Application

MicroTron Series R pumps combine chemical metering and a control relay output function in one simple unit. The Model R pump controller combination provides the lowest cost package system for a wide variety of water treatment applications.

Model R pumps may be ordered in the following configurations:

- **Conductivity Control**
- **Conductivity Control with Feed Timer**
- **Conductivity Control with Biocide Timer**
- **Dual Pulse Timers**
- **Dual 28-day Biocide Timers**
- **Dual Sequential Percent Timers**
- **pH Control**
- **ORP Control**

# Build a Model

Model R \_ \_ \_ \_ \_ - \_ \_ \_ \_ \_

Build your model number by selecting one code from each step. Example: RD30X1-PVC1

## STEP 1 RELAY CONTROL FUNCTION

- C Conductivity Feed and Bleed
- D Conductivity Bleed with Selectable Feed Timer
- E Conductivity Bleed with Biocide Timer
- P pH Control with Alarm Relay
- O ORP Control with Alarm Relay
- T Dual Selectable Timers (Pulse, %, 28-Day)

## STEP 2 OUTPUT

- 30 30 GPD at 110 PSI
- 15 15 GPD at 150 PSI
- 55 55 GPD at 75 PSI
- 17 17 GPD at 250 PSI

## STEP 3 STOP FUNCTION

- X Standard
- D Auto Stop Input with 8' Cord
- E Flow Switch Assembly with 8' Cord
- G Flow Switch Only with 8' Cord

## STEP 4 VOLTAGE

- 1 (Standard) 110 Volt USA Plug
- 2 220 Volt
- 3 220 Volt Specified Plug

## STEP 5 HEAD MATERIAL

- P Polypropelene (Standard)
- K Kynar
- V PVC
- S Stainless

## STEP 6 SEAT MATERIAL

- V Viton (Standard)
- F Teflon
- H Hypalon

## STEP 7 CHECK BALL

- C Ceramic (Standard)
- S Stainless

## STEP 8 CONNECTIONS

- 1 3/8" Tubing Standard - 110 psi
- 2 1/4" Tubing Standard - 250 psi
- P 1/4" MNPT Connections
- V 3/8" Vinyl Suction Tubing

For other options, see Price List or consult factory.

# Specifications

## Electrical

- **Input:** 120 VAC or 250 VAC @ 50/60 Hz
- **Output:** Relay rated to 5 amp

## Operational

- **Display:** 16 character LCD backlit
- **Stroke length:** Manual adjustment
- **Speed frequency:** 1 to 7500 strokes/hour
- **Conductivity scale:** 0-5,000  $\mu$ S
- **pH scale:** 2-12 pH units
- **ORP scale:** 0 to 1000 mV

## Optional Timers

- **Pulse:** 0-10 min, 0-59 sec w/accumulator
- **Limit:** 0-90 minutes
- **Post Bleed:** 0-99%w/limit (RD only)
- **Percent:** 0-99% of 10-30 minutes
- **Biocide:** 28 Day

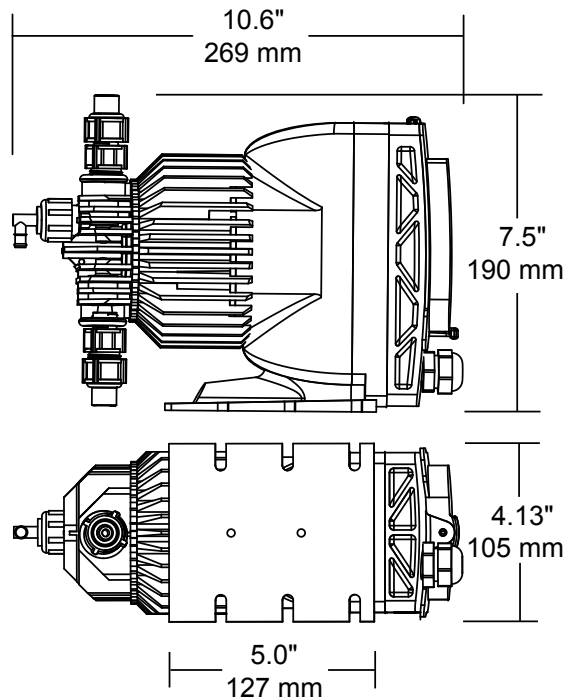
## Enclosure

Heavy duty NEMA 4X type high impact thermoplastic with clear lexan cover.

## Environment

- Ambient temperature: 32° to 140°F
- Relative humidity: 0 to 100%

**Shipping Weight:** Approximately 10 lbs.



**Get the Advantage**



4700 Harold Abitz Dr  
Muskogee, OK 74403  
800-743-7431 phone  
888-686-6212 fax  
[www.advantagecontrols.com](http://www.advantagecontrols.com)