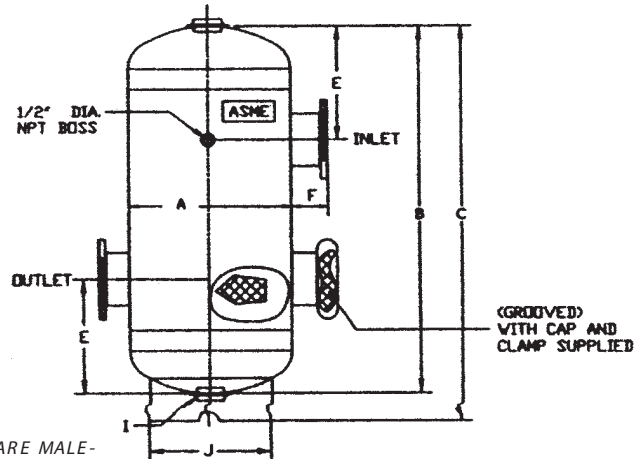
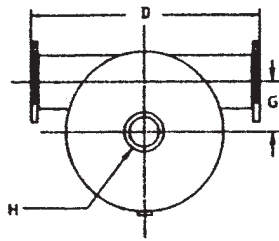


AMERICAN-MARSH PUMPS HYDRONIC ACCESSORIES

AIR SEPARATOR (Tangential Design) (with strainer)



INLET/OUTLET ON ASW-002 AND ASW-025 ARE MALE-
THREADED PIPE CONNECTIONS.
ALL OTHER UNITS ARE 150# FLANGE CONNECTIONS
QUICK ACCESS TO STAINER FOR MAINTENANCE
UNLIKE OTHER DESIGNS

PART NUMBER	INLET & OUTLET	A (IN.)	B (IN.)	C (IN.)	D (IN.)	E (IN.)	F (IN.)	G (IN.)	H (IN.)	I (IN.)	J (IN.)	WEIGHT
ASW-002	2"	12	19 1/2	22 1/2	16 5/8	5 1/2	2 1/8	4 5/16	1 1/4	1	9 1/2	48
ASW-025	2 1/2"	12	19 1/2	22 1/2	16 5/8	5 1/2	2 3/8	4 1/16	1 1/4	1	9 1/2	58
ASW-003	3"	12	19 1/2	22 1/2	19 3/4	5 3/4	2 1/2	3 3/4	1 1/4	1	9 1/2	70
ASW-004	4"	14	29	32	21 3/4	9 1/8	2 1/2	4 1/4	1 1/2	2	11 1/2	108
ASW-005	5"	14	29	32	21 3/4	9 1/8	2 1/2	3 3/4	1 1/2	2	11 1/2	136
ASW-006	6"	20	41	44	28	13 1/4	2 1/2	6 1/4	2	2	18	236
ASW-008	8"	20	41	44	28	13 1/4	3	5 3/16	2	2	18	356
ASW-010	10"	30	58	60 1/2	41	19	3 1/2	9 1/8	2	2	24	660
ASW-012	12"	30	58	60 1/2	41	19	3 1/2	8 1/8	2	2	24	870
ASW-014*	14"	36	75 1/2	78	46 3/8	22	3 1/2	10 3/16	2	2	30	1220
ASW-016*	16"	48	100	108	60	30	3 5/8	12 1/2	2	2	38	2700
ASW-018*	18"	54	116	124	66	33	3 5/8	13 5/8	2	2 1/2	44	3000
ASW-020*	20"	60	130	138	72	35	7	16	2	2 1/2	50	4000
ASW-024*	24"	72	152	160	84	40	8	19	2	2 1/2	62	PLEASE CALL

*** Non-Stock Items**

Larger sizes can be fabricated to meet your needs. Please contact us.

USE:

For removal of entrained air in hydronic and pumping systems.

SPECIFICATION:

- Carbon Steel Construction
- Working Pressure Rated at 125 P.S.I./150 P.S.I.
- Maximum Temperature 375° F
- Primed & Painted Exterior
- A.S.M.E. Section VIII, Division I, stamped with documentation

For automatic air removal, we recommend adding our high capacity air vent part #HCA-075.

DESCRIPTION:

- Cast Iron Body and Cover
- Stainless Steel Internal Float and Assembly



PART NUMBER	HEIGHT	WIDTH	INLET	OUTLET	WEIGHT
HCA-075	5-1/4"	4-1/4"	3/4"	3/8"	5 LBS



JOB NAME _____
LOCATION _____

CONTRACTOR _____
CONTRACTOR P.O. NO. _____

