

1/4" INTERMITTENT DUTY BOX STYLE PUMP



1/4" INTERMITTENT DUTY BOX STYLE PUMP

Reliable polypropylene air section combined with a wide array of casing materials and elastomers ensure maximum chemical compatibility. Ideal for low volume clean fluids transfer applications.

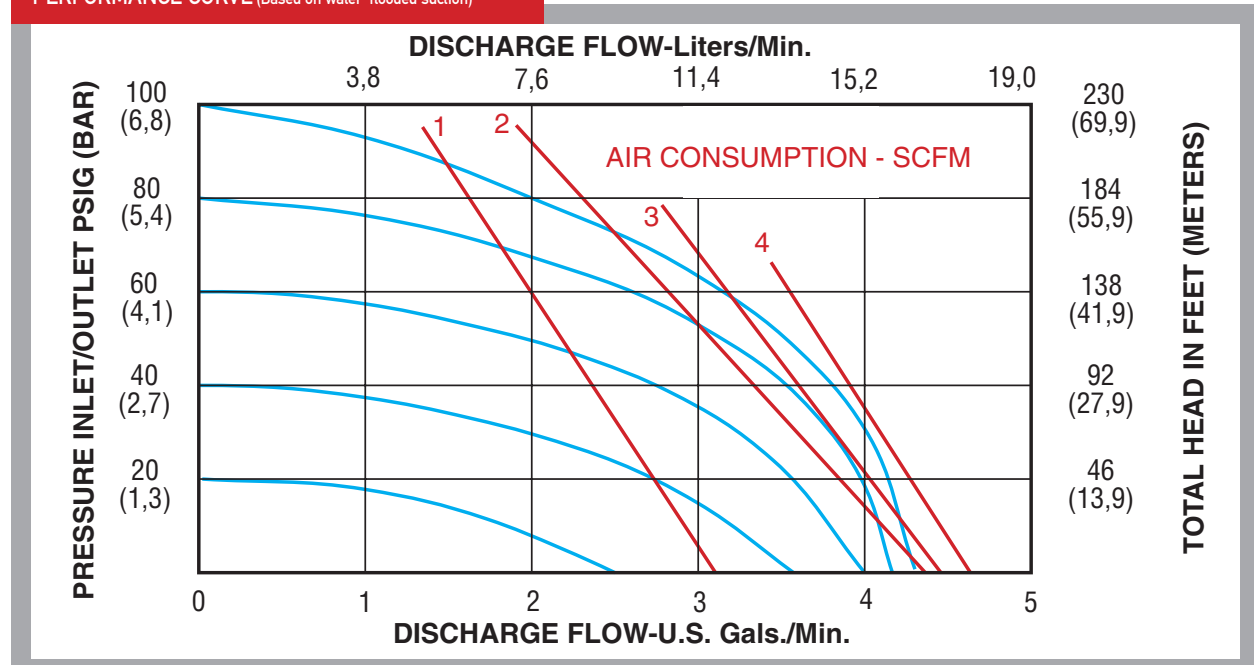
- Suitable for Clean Fluids Transfer
- Compact Box Style Design
- Intermittent Duty Non-Metallic Air Section
- Muffler Included

SPECIFICATIONS

Dimension	
Physical Dimensions	See Drawing Page 73
Air Inlet	1/4"
Liquid Inlet	1/4"
Liquid Outlet	1/4"
Weight	See Product Tables
Performance	
Maximum Flow	4.3 gpm (16.3 lpm)
Maximum Air Pressure	100 psi (6.8 bar)
Maximum Solids	1/16" (1.6 mm)
Max Suction Lift Dry	17 ft (5.0 m)
Max Suction Lift Wet	26 ft (7.9 m)
Max Temperature	See Product Tables
Noise Level (with muffler)	86 dBA
Displacement Per Stroke	0.006 Gallons (0.023 l)



PERFORMANCE CURVE (Based on water-flooded suction)



1/4" - POLYPROPYLENE - A non-metallic material, suitable for water, caustics, soap solutions, mild acids and general purpose applications. Please consult chemical compatibility tables or www.all-flo.com for your particular application.

PART NUMBER	DIAPHRAGM MATERIAL	VALVE/BALL MATERIAL	VALVE SEAT MATERIAL	O-RING MATERIAL	FASTENER MATERIAL	WEIGHT LBS (KG)	MAX TEMPERATURE °F (°C)	DIMENSIONAL DIAGRAM	CONNECT TYPE
NC-025	Geolast®	PTFE	Polypropylene	Nitrile	SS	5 (2.3)	150 (66)	Pg. 73	NPT (BSP)
BK-025	PTFE	PTFE	Polypropylene	PTFE	SS	5 (2.3)	150 (66)	Pg. 73	NPT (BSP)
NC-025E	Santoprene®	PTFE	Polypropylene	EPDM	SS	5 (2.3)	150 (66)	Pg. 73	NPT (BSP)

1/4" - PVDF - Polyvinylidene Fluoride suitable in applications requiring the highest purity, strength, and resistance to solvents, acids, and bases. Please consult chemical compatibility tables or www.all-flo.com for your particular application.

PART NUMBER	DIAPHRAGM MATERIAL	VALVE/BALL MATERIAL	VALVE SEAT MATERIAL	O-RING MATERIAL	FASTENER MATERIAL	WEIGHT LBS (KG)	MAX TEMPERATURE °F (°C)	DIMENSIONAL DIAGRAM	CONNECT TYPE
KN-025	PTFE	PTFE	PVDF	PTFE	SS	7 (3.2)	200 (93)	Pg. 73	NPT (BSP)
KN-025E	Santoprene®	PTFE	PVDF	EPDM	SS	7 (3.2)	200 (93)	Pg. 73	NPT (BSP)

1/4" - NYLON - A non-metallic material, suitable for most solvents and oils. Please consult chemical compatibility tables or www.all-flo.com for your particular application.

PART NUMBER	DIAPHRAGM MATERIAL	VALVE/BALL MATERIAL	VALVE SEAT MATERIAL	O-RING MATERIAL	FASTENER MATERIAL	WEIGHT LBS (KG)	MAX TEMPERATURE °F (°C)	DIMENSIONAL DIAGRAM	CONNECT TYPE
RD-025B	Geolast®	PTFE	Nylon	Nitrile	SS	5 (2.3)	150 (66)	Pg. 73	NPT (BSP)
RD-025	PTFE	PTFE	Nylon	PTFE	SS	5 (2.3)	150 (66)	Pg. 73	NPT (BSP)

1/4" - CONDUCTIVE NYLON - Stainless steel filled nylon, suitable for most solvents and alcohols. Grounding lugs provided with pump. Please consult chemical compatibility tables or www.all-flo.com for your particular application.

PART NUMBER	DIAPHRAGM MATERIAL	VALVE/BALL MATERIAL	VALVE SEAT MATERIAL	O-RING MATERIAL	FASTENER MATERIAL	WEIGHT LBS (KG)	MAX TEMPERATURE °F (°C)	DIMENSIONAL DIAGRAM	CONNECT TYPE
CN-025B	Geolast®	PTFE	Nylon	Geolast®	SS	7 (3.2)	150 (66)	Pg. 73	NPT (BSP)
CN-025	PTFE	PTFE	Nylon	PTFE	SS	7 (3.2)	150 (66)	Pg. 73	NPT (BSP)

AVAILABLE OPTIONS - Each pump can be configured to suit a particular application. Please see the options section for detailed product information on the following available options.

AIR VALVE OPTIONS	SEE PAGE
CYCLE COUNT VALVE	67
HARDWARE OPTIONS	
PTFE COATED HARDWARE	67
O-RINGS	
PTFE O-RINGS	67
NITRILE O-RINGS	67
EPDM O-RINGS	67
VITON® O-RINGS	67
PORTING OPTIONS	
DUAL SUCTION	68
DUAL DISCHARGE / DUAL SUCTION	68
DUAL DISCHARGE	68

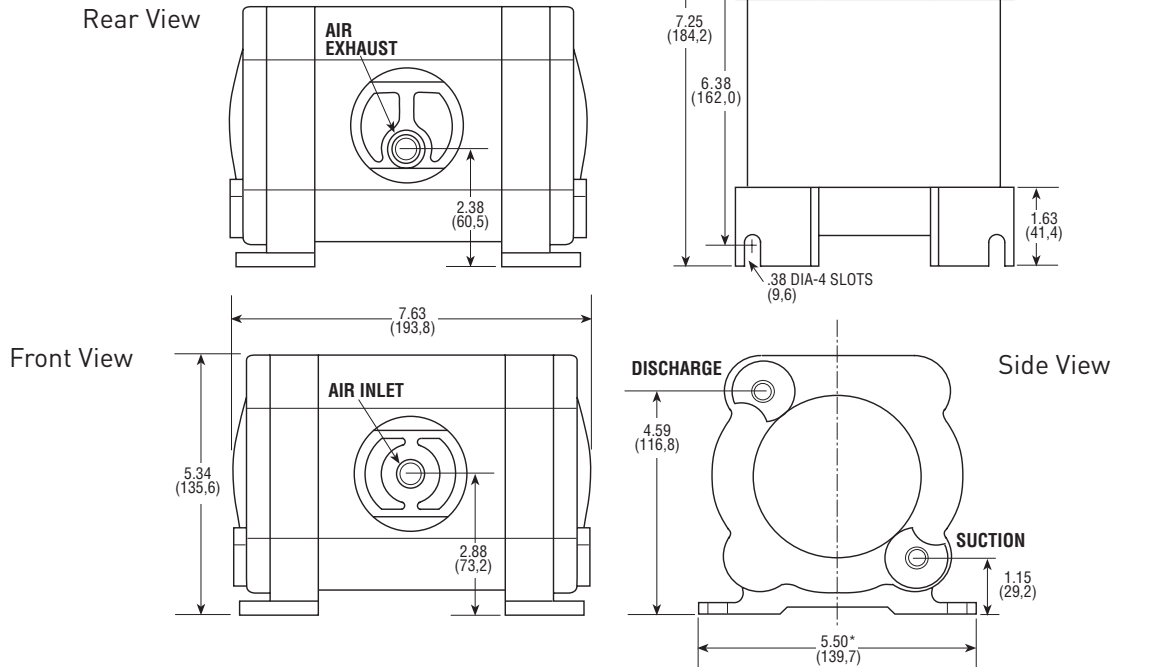
AVAILABLE ACCESSORIES - Please see the accessories section for detailed product information on the following available accessories.

AIR	SEE PAGE
FILTER / REGULATOR / GAUGE	60
SOLENOID VALVES	60
AIR FLOW CONTROL	60
NEEDLE VALVE	60
PUMP	
PREMIUM MUFFLER	63
GROUNDING LUG	64

1/4" BOX STYLE INTERMITTENT DUTY PUMP

Dimensions in inches and (mm).

For detailed dimensional drawings, please visit www.all-flo.com



3/8" CLAMP STYLE INTERMITTENT DUTY PUMP

Dimensions in inches and (mm).

For detailed dimensional drawings, please visit www.all-flo.com

